

MADAULA S.A.

www.madaula.com

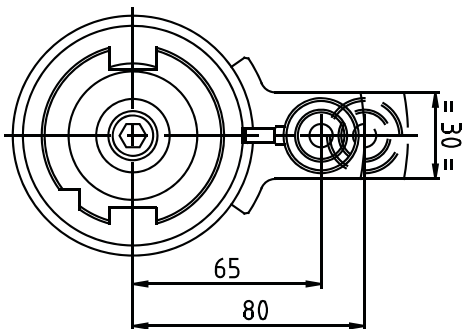
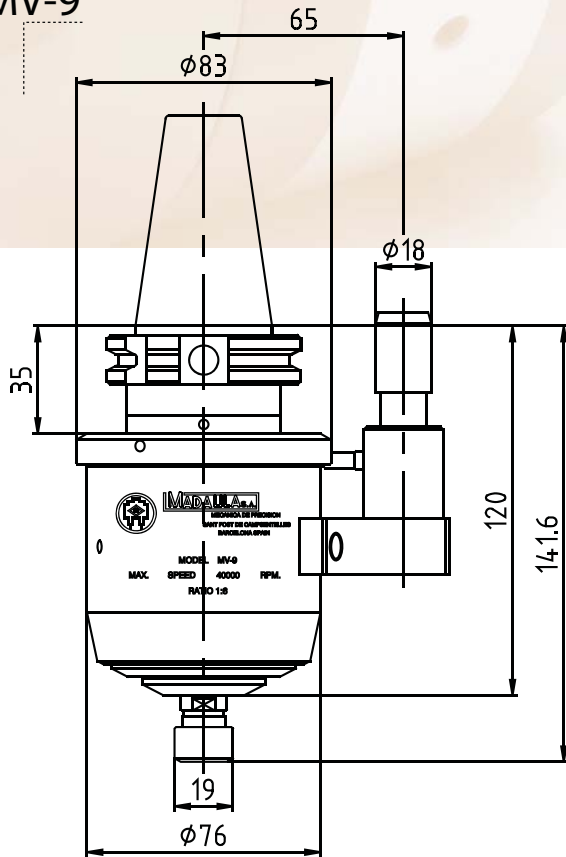


**NEW
NOUVEAU
NEU
NUEVO**

▶ Spindel speeder Model MV-9

- Smooth and quiet running
- Precise and rigid compact manufacture
- Very high output per tool
- No maintenance, greased for life
- Great rigidity and high precision
- Maximum concentricity
- Other clamping systems, on request, (ABS, HSK, WELDON...)
- Adaptable to any model of machine
- Available with any type of taper
- Increases tool and machine life
- Tailor made to meet customer specifications upon request
- No need of coolant

MV-9



RPM: 40.000
 ϕ Max.7



**MANUAL / AUTOMATIC
INDEX ARM**

▲ All types of indexations



STANDARD STOP BLOCK

▲ Stop-block suitable for all machines types, available on request

FEATURES

40.000 RPM

	R.P.M.	L	ϕ D	ϕ d			SIZE	HSK SIZE
MV-9	40.000	1:6	106	76	0,5-7	ER-11	3	30/40 63

HIGHER ROTATIONAL SPEED

